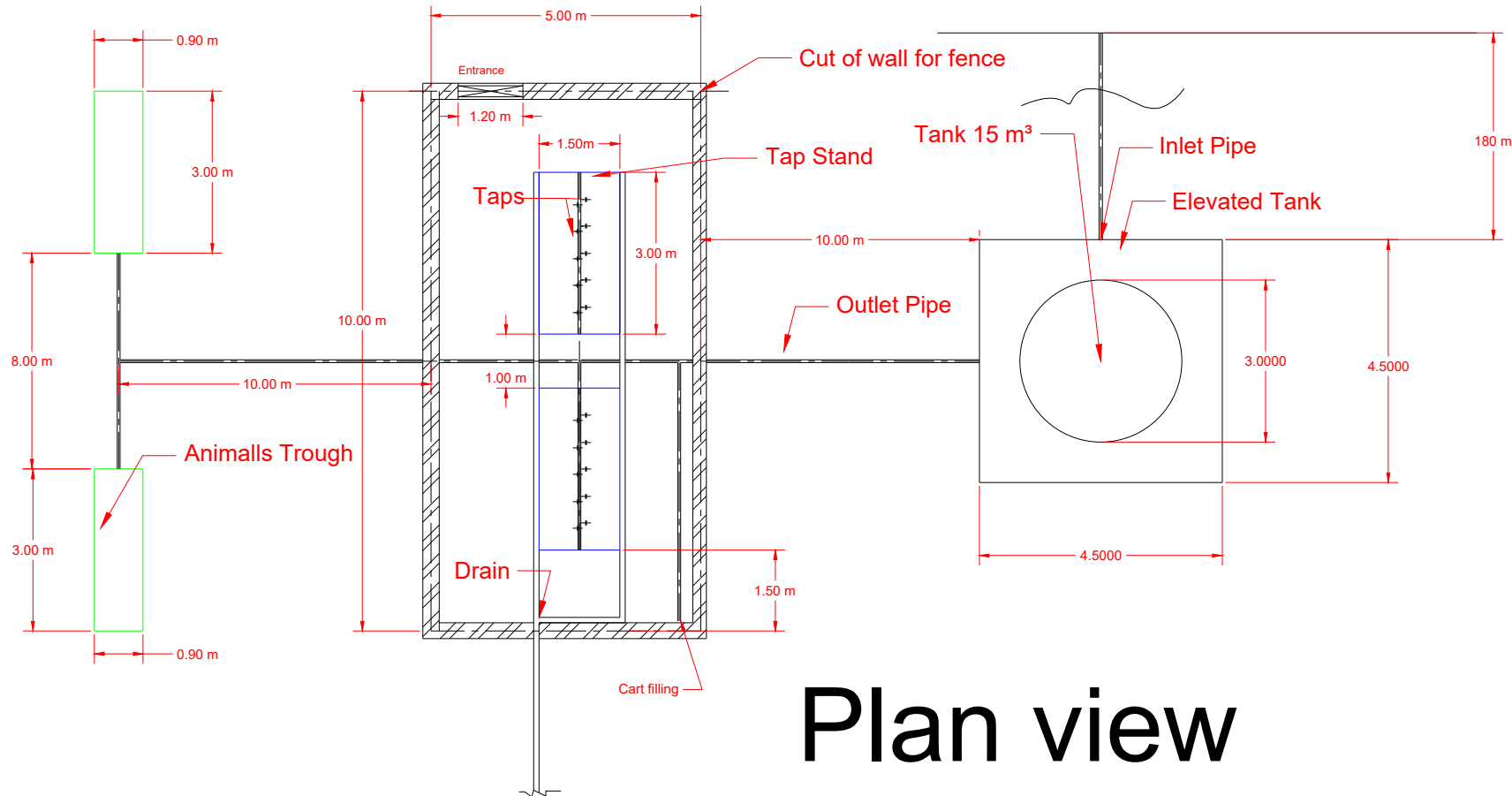


# Water Yard Golo Tayba



## Plan view

General Notes

ALL Dimension  
in meter  
All reinforced  
concrete  
should  
be 30 N/mm  
per 28 days  
and 20 N/mm  
for plan concrete  
curing 3 time per  
day for 7 days

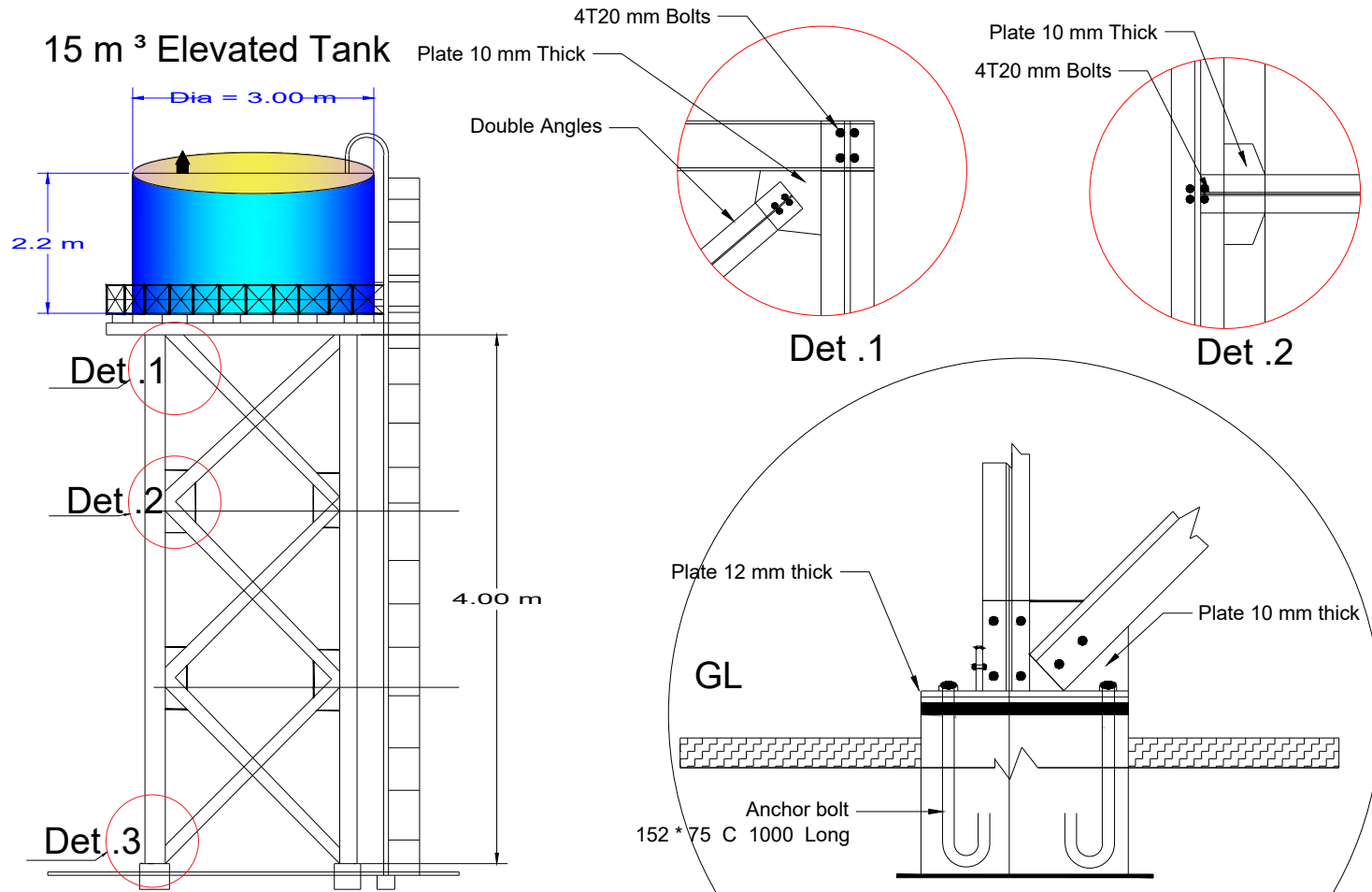
No.	Revision/Issue	Date

Firm Name and Address

Project Name and Address  
Moafa III  
Construction  
of Water Yard

Project CRS Zalingei	Sheet 1
Date 24 July 2024	
Scale 1:1	

# 15 m<sup>3</sup> Elevated Tank



# Water Tower Detail

General Notes

ALL Dimension in meter  
 All reinforced concrete should be 30 N/mm per 28 days and 20 N/mm for plan concrete curing 3 time per day for 7 days

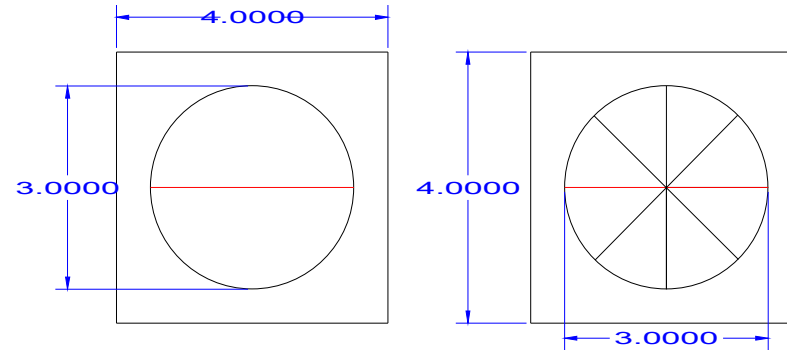
No.	Revision/Issue	Date

Client Name and Address

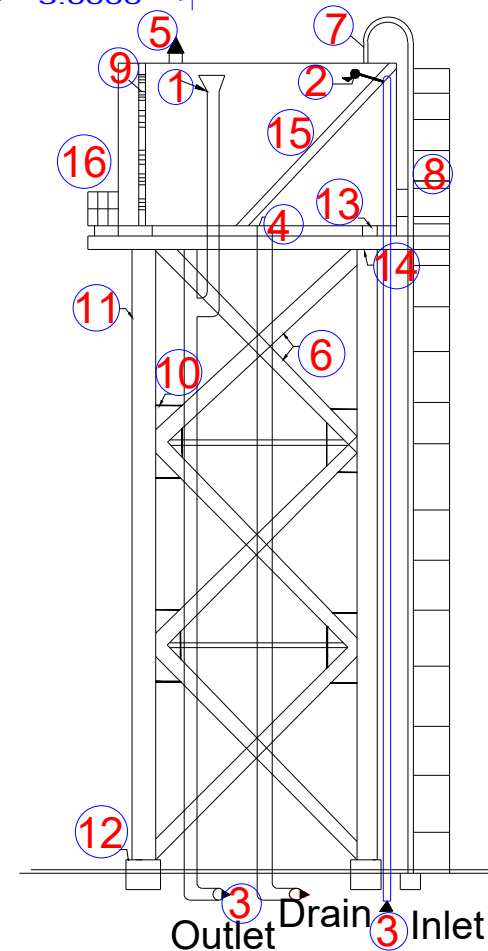
Project Name and Address  
 Moafa III  
 Construction of Water TOWER

Project CRS Zolingei	Sheet 3
Date 24 July,2024	
Scale 1:1	

Det .3



No.	
1	OVER FLOW PIPE
2	FLOAT LEVEL VALVE
3	OUTLET INLET PIPE
4	WASH PIPE
5	VENT PIPE
6	DIAGONAL BRACER 175 X 175 X 8 mm
7	MANHOLE COVER 80 X80 cm
8	EXTERNAL LADDER
9	WATER LEVEL INDICATOR
10	GUSSET PLATES 8 mm THICK
11	I section 20 cm
12	HD BOLT BOX 80 X 25 mm
13	I section 16 cm
14	I section 20 cm
15	INTERNAL LADDER
16	BALCONY



General Notes

ALL Dimension in meter  
 All reinforced concrete should be 30 N/mm per 28 days and 20 N/mm for plan concrete curing 3 time per day for 7 days

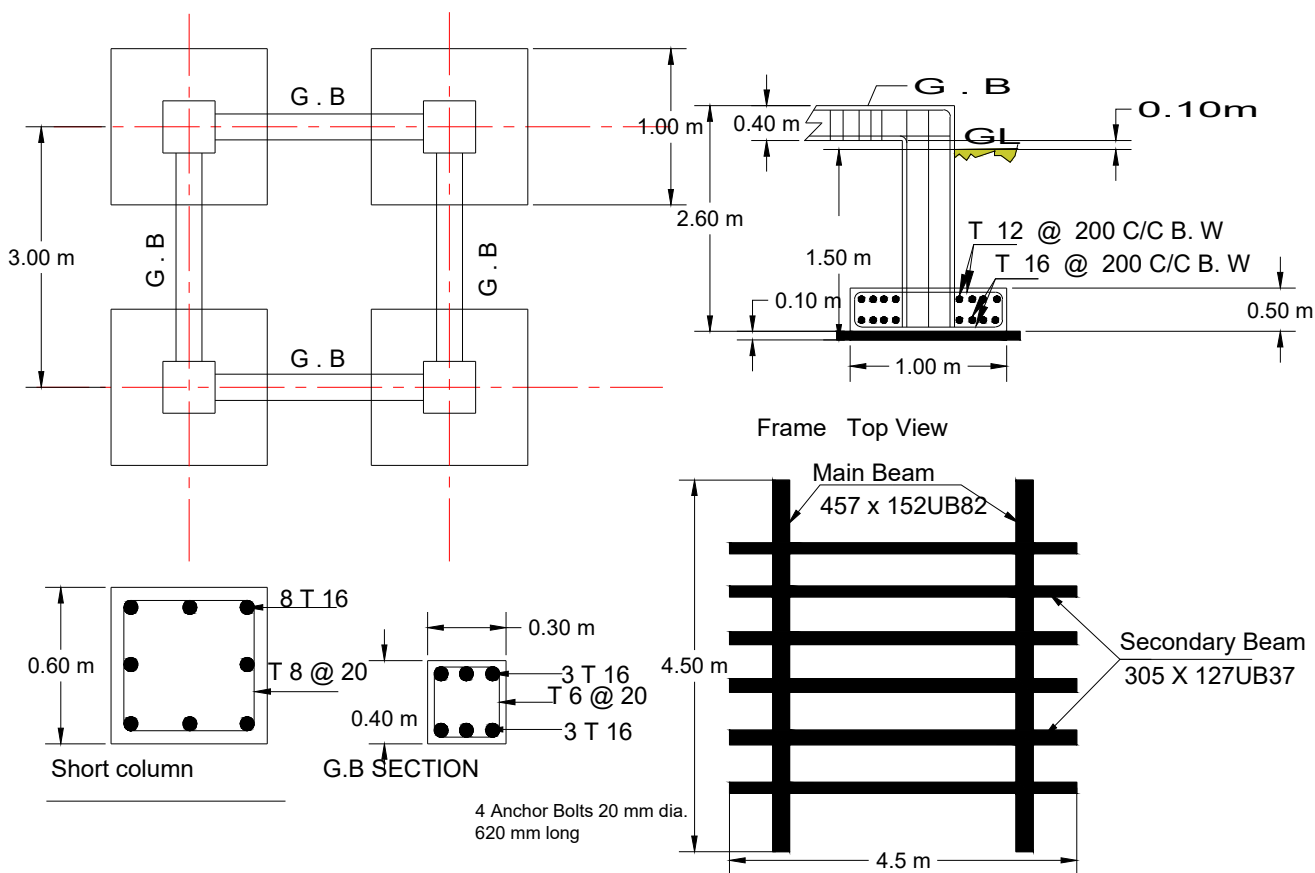
No.	Revision/Issue	Date

Firm Name and Address

Project Name and Address  
 Moafa III  
 Construction of Water TOWER

Project	Sheet
CRS Zalinger	2
Date	24 July,2024
Scale	1:1

# Water Tower Detail



# FOUNDATION DETAIL

General Notes

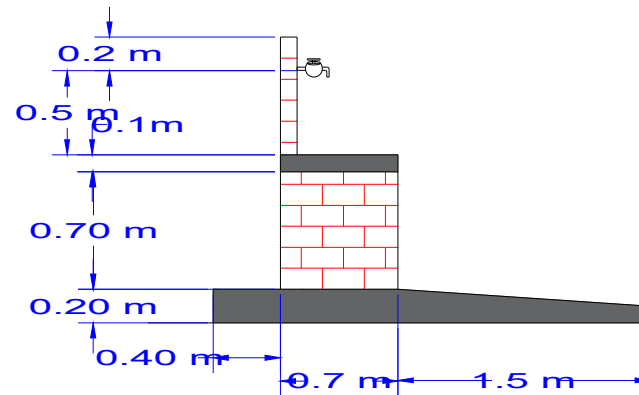
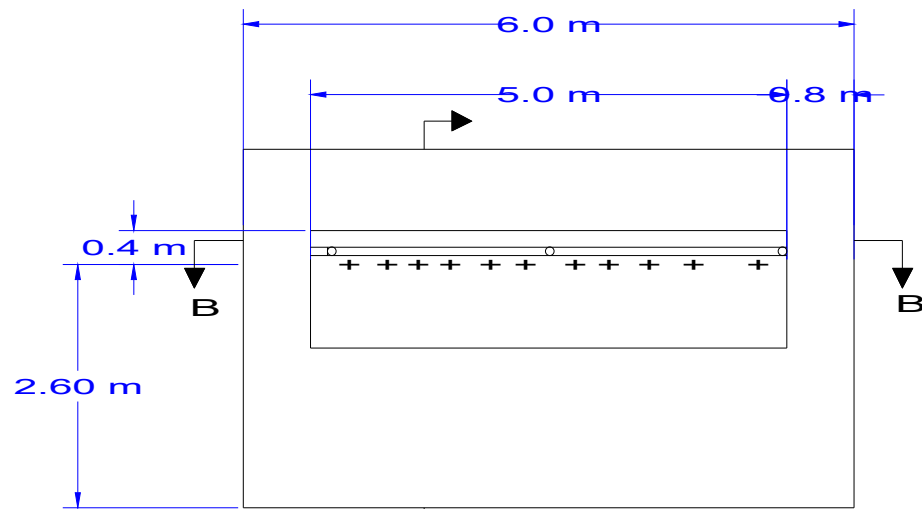
ALL Dimension in meter  
 All reinforced concrete should be 30 N/mm<sup>2</sup> per 28 days and 20 N/mm<sup>2</sup> for plan concrete curing 3 time per day for 7 days

No.	Revision/Issue	Date

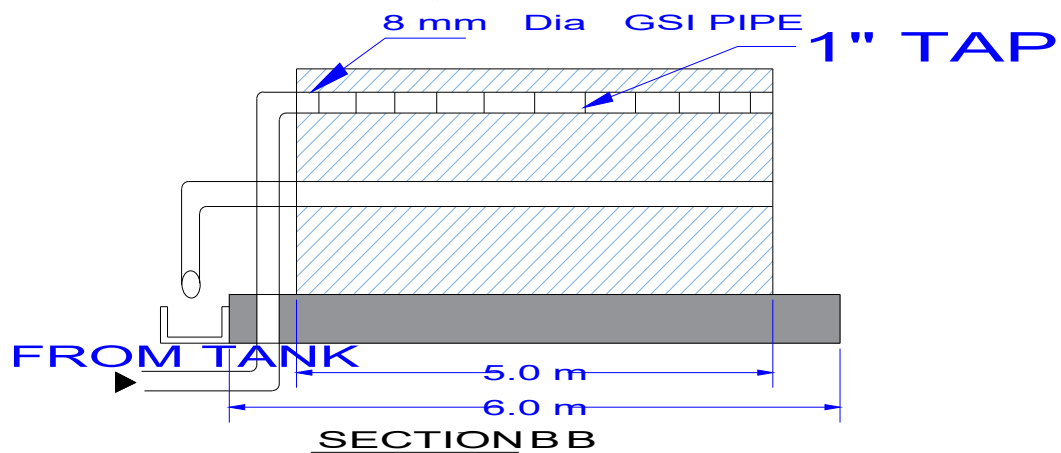
Firm Name and Address

Project Name and Address  
 Moafa III  
 Construction of Water TOWER

Project CRS Zalingei	Sheet 4
Date 24 July, 2024	
Scale 1:1	



**SECTION**



# Tap Stand Plan & Section

General Notes

No.	Revision/Issue	Date

Firm Name and Address

Project Name and Address  
Construction of Water TOWER

Project CRS Zalingei	Sheet 4
Date 24 July,2024	
Scale 1:1	